


This drawing may not be copied or distributed in any way without the written permission of Cavagna Group Div. RE.CA. Via Matteotti, 5 - Calvisano - BS - Italy

PAY ATTENTION TO THE VALVES/MANOMETER ORIENTATION


LABEL FOR EXPEDITION BOX



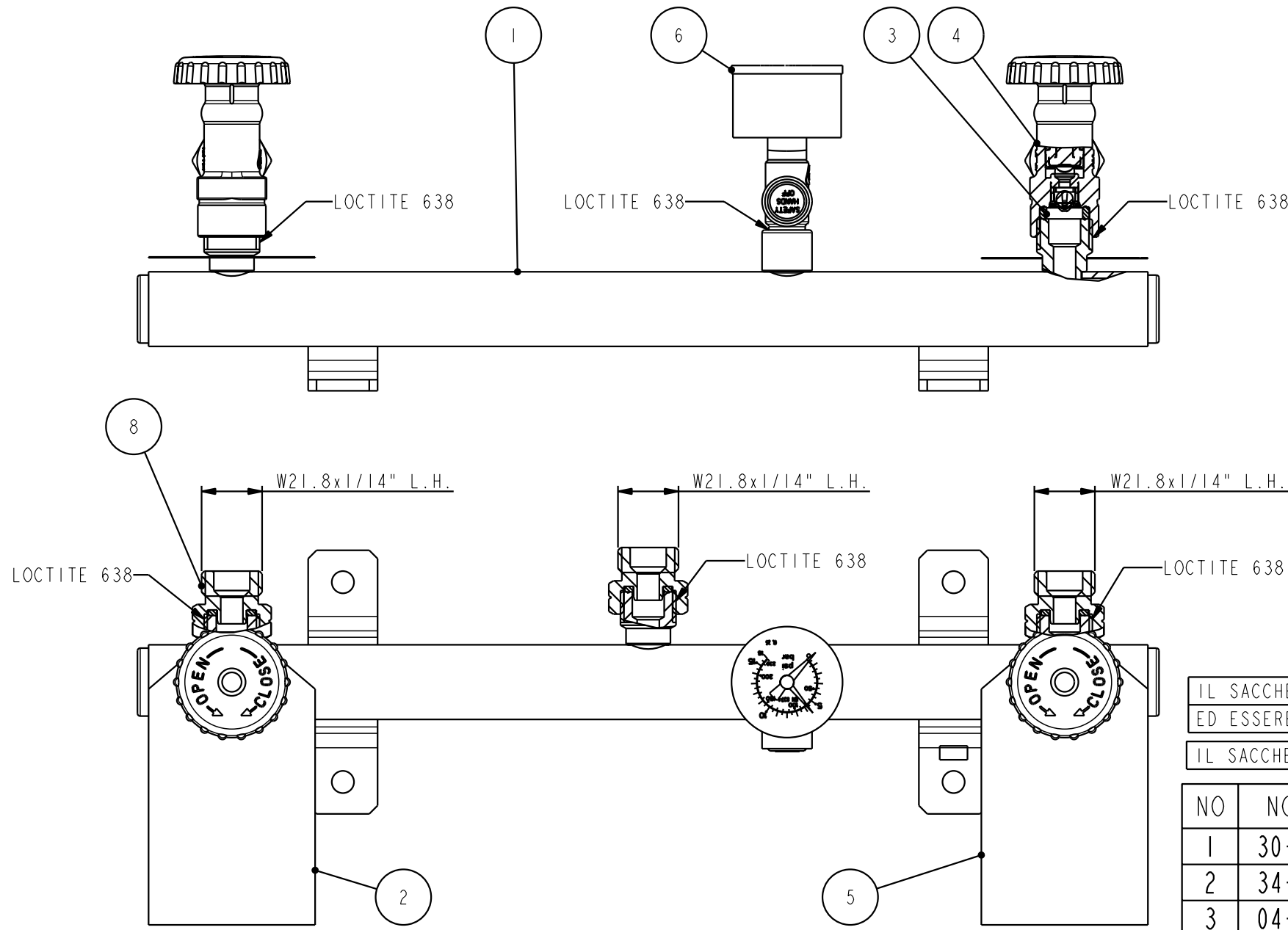
RECA
cavagna group

NS Code: 55-1-190-0023
VS Code: -
Description: MANIFOLD 2 VALVES WITH SAFETY VALVE AND GAUGE

INLET: W21.8x1/14" L.H.
OUTLET: W21.8x1/14" L.H.



Pcs per carton: 1
Date: 11




IL SACCHETTO 23-1-210-1103 DEVE COPRIRE IL MANOMETRO, ED ESSERE CHIUSO ALL'ESTREMITA' CON NASTRO ADESIVO
IL SACCHETTO 23-1-210-0621 NON DEVE ESSERE CHIUSO

NO	NO PRODUCT	DENOMINATION	Q.TY
1	30-1-110-0357	S/A MANIFOLD (2 VALVE)	1
2	34-1-110-1153	INSTRUCTION FOR MANIFOLD (ENGLISH)	1
3	04-1-110-0136	GASKET (OMEGA CODE 0461100012)	2
4	80-6-190-0012	VALVE FOR ITALIAN MARKET	2
5	34-1-110-1826	INSTRUCTION FOR MANIFOLD (RU)	1
6	16-1-950-0333	S/A SAFETY VALVE FOR MANIFOLD	1
7	23-1-210-1103	BUBBLE WRAP BAG (100x100)	1
8	16-1-950-0379	S/A ADAPTER W20x1/14" FEMALE - W21.8x1/14" L.H. MALE	3
9	23-1-210-0621	PLASTIC BAG FOR MANIFOLD (210x500)	1
10	23-1-510-0020	BOX 1100x800x815	1
11	34-1-210-2702	LABEL FOR EXPEDITION BOX (100X100)	1

PERFORMANCE RICHIESTE

TENUTA APPARECCHIO	PERFETTAMENTE A TENUTA A 16 bar: PERDITA < 15 cc/h
PERDITA DI CARICO	< 20 mbar CON PRESSIONE DI 0.3 bar E PORTATA 2 kg/h SU OGNI SINGOLA VALVOLA
APERTURA VDS	17.65 bar ± 5%
ANTIRITORNO VALVOLA	PERDITA < 200 cc/h CON PRESSIONE DA 0.3 bar A 16 bar

DENOMINATION					
MANIFOLD (2 VALVE) WITH ACCESSORIES		-		0.3-16 bar	
N.A.					
	MODEL	ORIFICE	INLET	OUTLET	SHARED
RECA	N.A.	-	ø21.8x1.814 L.H.	W 21.8X1/14" MALE L.H.	N.A.
PERFORMANCE DOC.	COUNTRY	COUNTRY SPECIFIC	WEIGHT	SCALE	MODIFY FILE
N.A.	N.A.	N.A.	N.A.	1:2	DM06801
PROD. EVOLUTION	PROJECT NO	RELEASE LEVEL	DRAWN BY	VERIFIED BY	APPROVED BY
DEFINITIVE	DS07379	APPROVED+	SCARPELLA A.	PEDRETTI A.	TOMASELLI L.
					DATE
					08/01/21
					PRODUCT NO
					55-1-190-0023
					REV
					3